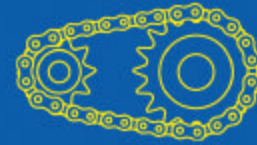


PowerMaster

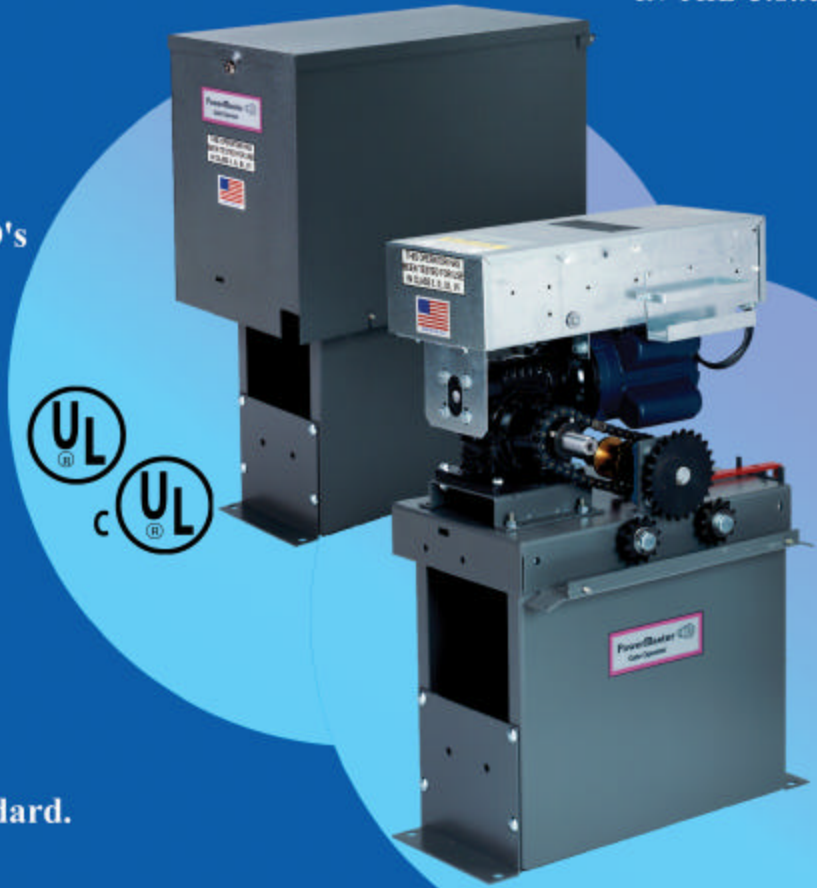


ASSEMBLED
IN THE U.S.A.

Model SG 2004 SLIDE GATE OPERATOR

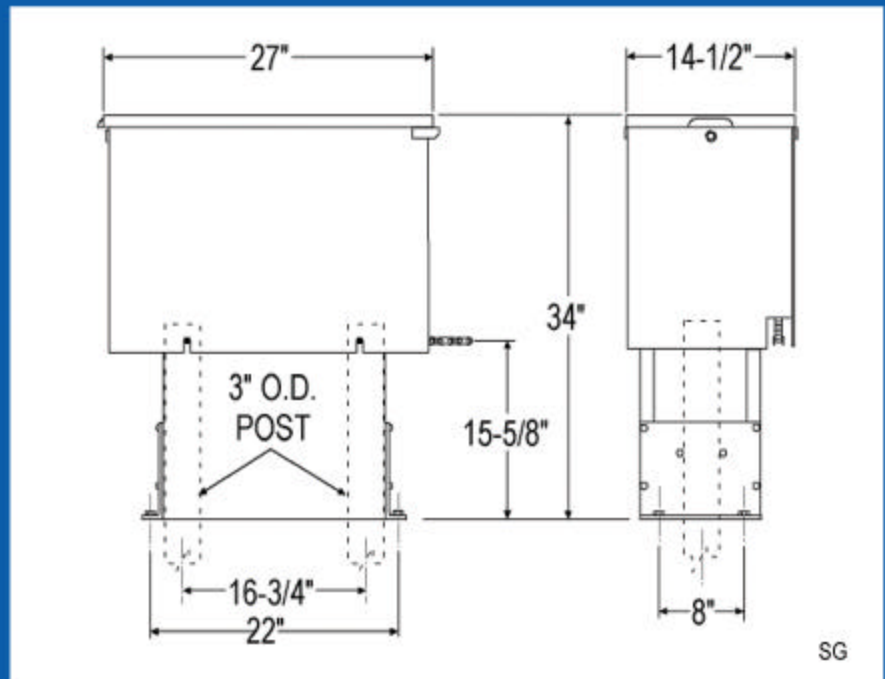
ELECTRICAL FEATURES

- Solid state control board with diagnostic LED's to indicate all input and output functions.
- Three button control station on circuit board to facilitate installation and maintenance.
- External control input terminal connections for:
 - Radio Receiver
 - Push Button Control Station
 - Key Switches
 - Loop Detectors
 - Card Key Readers
 - Telephone Entry Systems, Etc.
- Timer to close with 0-60 sec. adjustment standard. Longer timer available upon request.
- Maximum run timer for equipment protection (self adjusting).
- Master/Slave selectable option with dedicated terminal connection provided.
- Easy Left/Right changeover.
- Time delay on reverse to insure smooth gate motion and less stress on equipment.
- Spike suppressing circuitry for surge and lightning protection.
- Emergency control enabling circuitry for safety with security.
- Electrical dynamic or solenoid brake for precise gate positioning.
- Magnetic gate lock circuitry with control relay.
- Integral, speed sensing, anti-entrapment circuitry with independent opening and closing sensitivity adjustment.
- External anti-entrapment circuitry with separate terminal connections for easy installation of contact and non-contact sensors.
- 1 Phase or 3 phase instant reversing motors with thermal overload protection and high speed ball bearings for smooth, quiet operation. Single phase motors available in capacitor start or switchless PSC styles.
- Internal On/Off power switch.
- Two grounded 115 Volt AC, 15 Amp. convenience receptacles (115V units only) .
- NEMA 1 three-button control station included.
- Selectable three second advanced audio warning signal.



TECHNICAL SPECIFICATIONS

- Power requirements: 115/230V, 1 phase
230/460V, 3 phase.
- Class 2 low voltage control circuit.
- Available horse power: 1/2 to 1-1/2 HP.
- Maximum gate weight: 1500 LBS.
- Maximum cycles per hour: 30 CPH.
- Maximum gate width: 50 feet.
- Gate speed: 11 inches per second.
- UL 325 Listed for use in
Class I through IV application.
- Shipping weight: approx. 235 LBS.



MECHANICAL FEATURES

- Heavy duty #11 Ga. galvanized steel frame providing a strong and durable unit.
- #16 Ga. galvanized steel, lockable exterior cover for drip proof water protection.
- Hard shell baked-on weather resistant powder coating with an attractive textured finish for years of aesthetic protection from the elements.
- 40:1, oil bath type, gear reducer for long service and smooth, quiet operation.
- Heavy duty #50 drive chain with a spring loaded tensioning system for smooth starts, stops and reversals.
- Heavy duty pillow block type ball bearings supporting output drive shaft and enabling extended endurance under heavy loads with low maintenance.
- Padlockable drive disconnect with brass slide for manual operation in case of power failure.
- Positive chain driven rotary limit switches for precision gate positioning. Settings are never affected by manual operation.
- Post or pad mountable for easy installation.

OPTIONAL EQUIPMENT

- Radio Control.
- Safety Edge (contact safety sensor).
- Push Buttons with Keyed Lockout
- Loop Detector.
- Card Key Reader.
- Magnetic Gate Lock.
- Gear Box Heater (for cold climates).
- Thermostatically Controlled Cooling Fan (for hot climates).
- Interior and Exterior Control Stations:
 - Push Buttons
 - Push Button with Keyed Lockout
 - Key Switches
- Padlockable Option to secure cover for increased tamper proof protection.
- Foot disconnect system.
- Polyethylene rust and dent proof cover.
- Torque limiting clutch.

DISTRIBUTED BY: