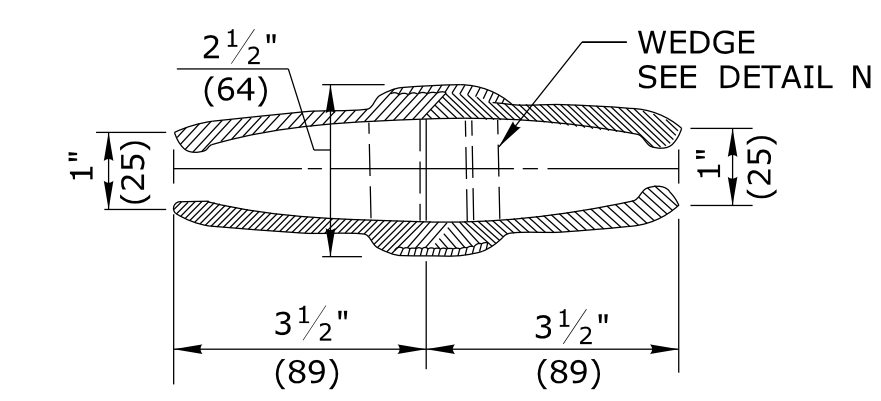
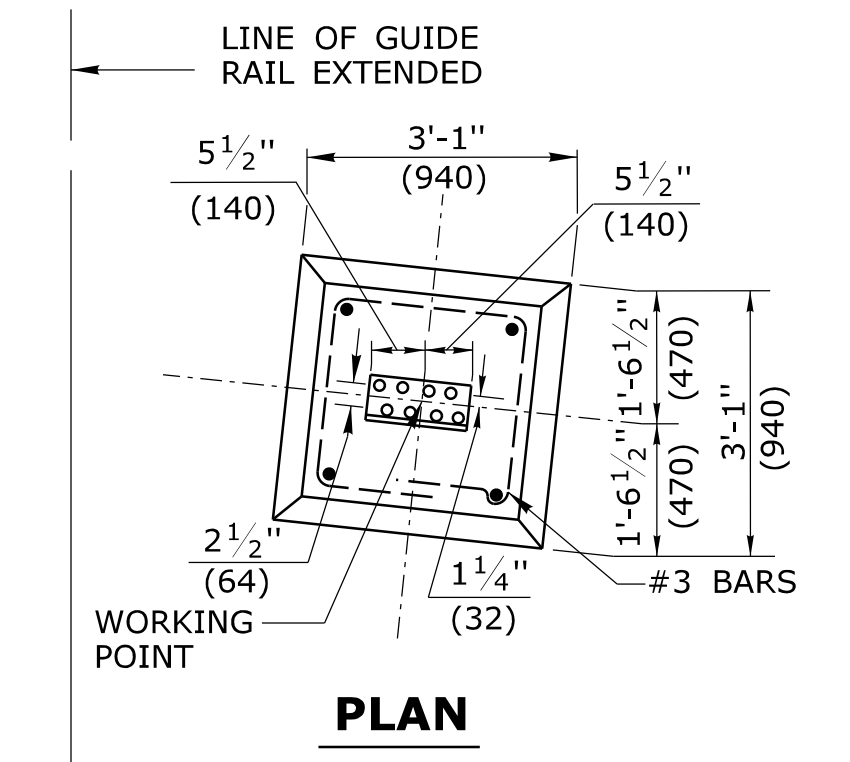
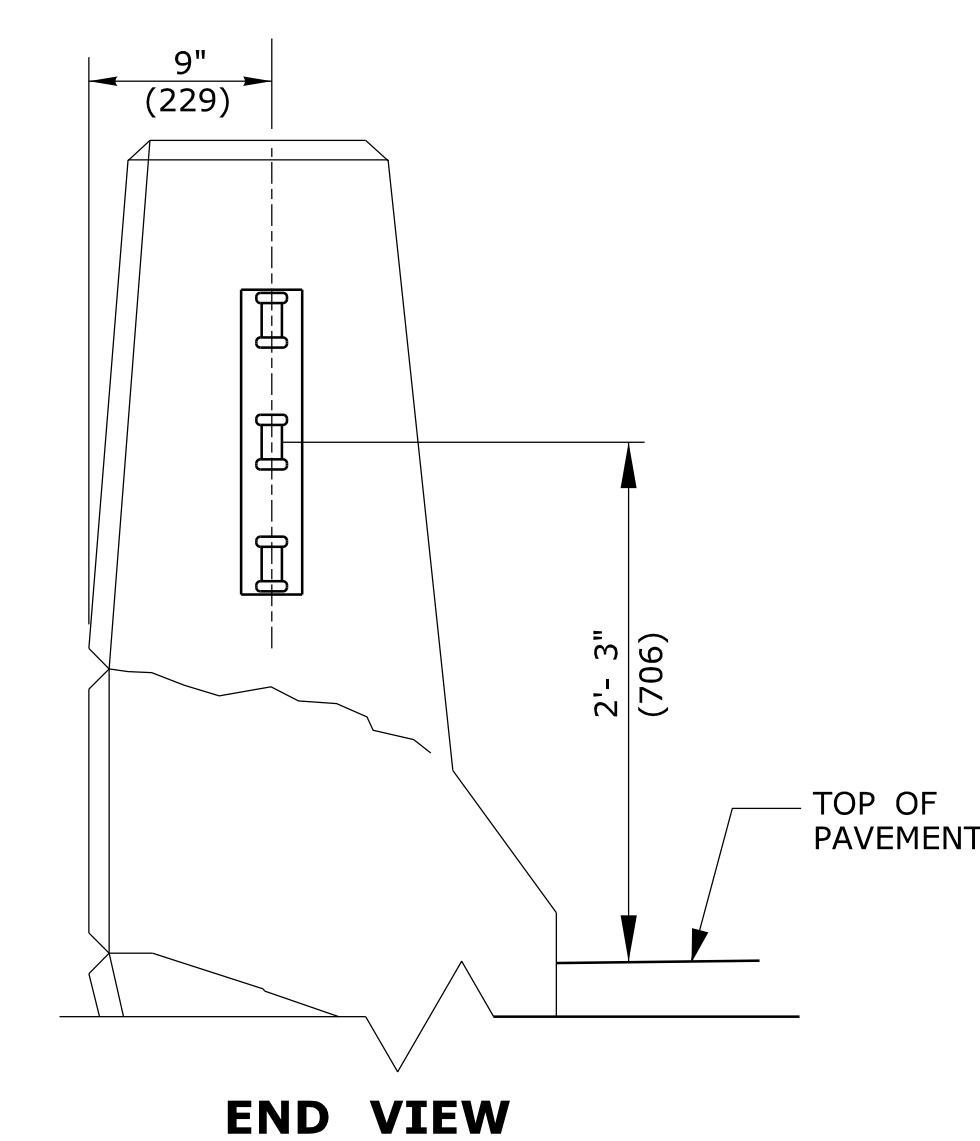
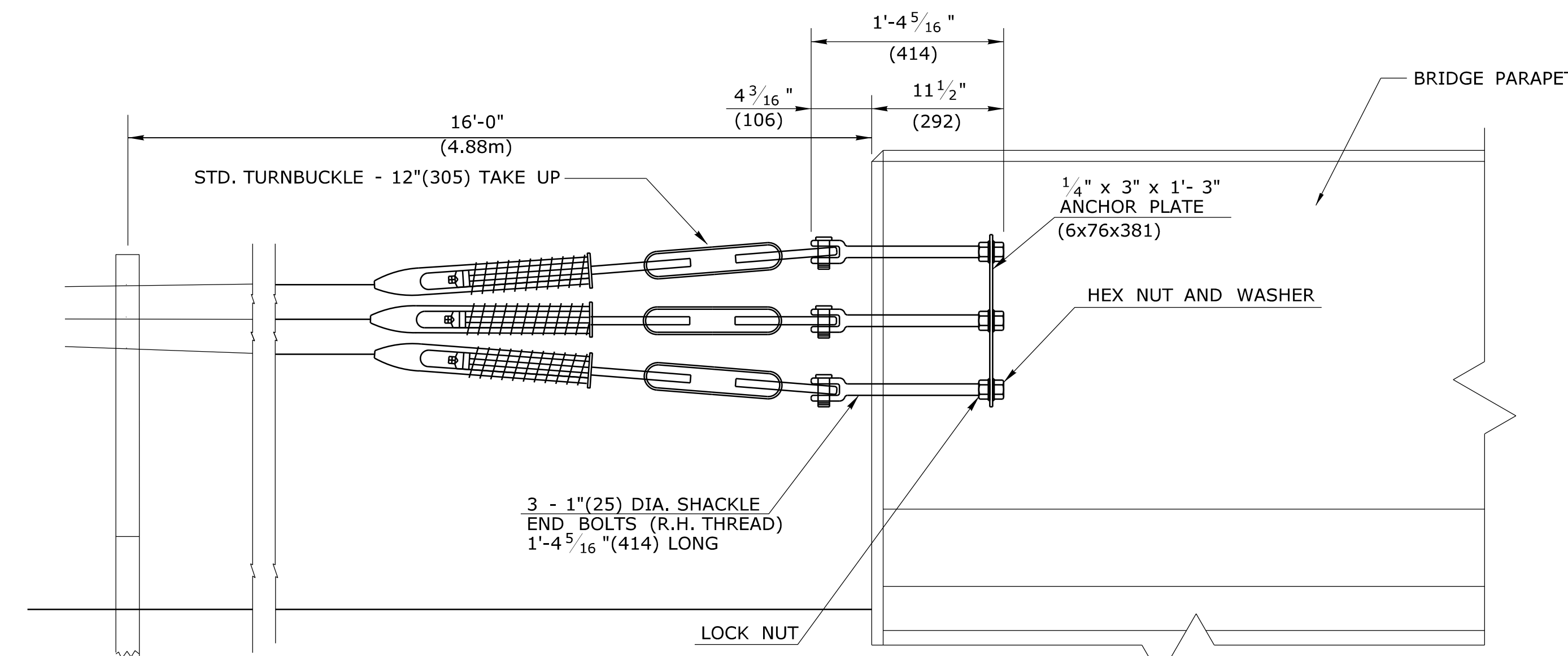
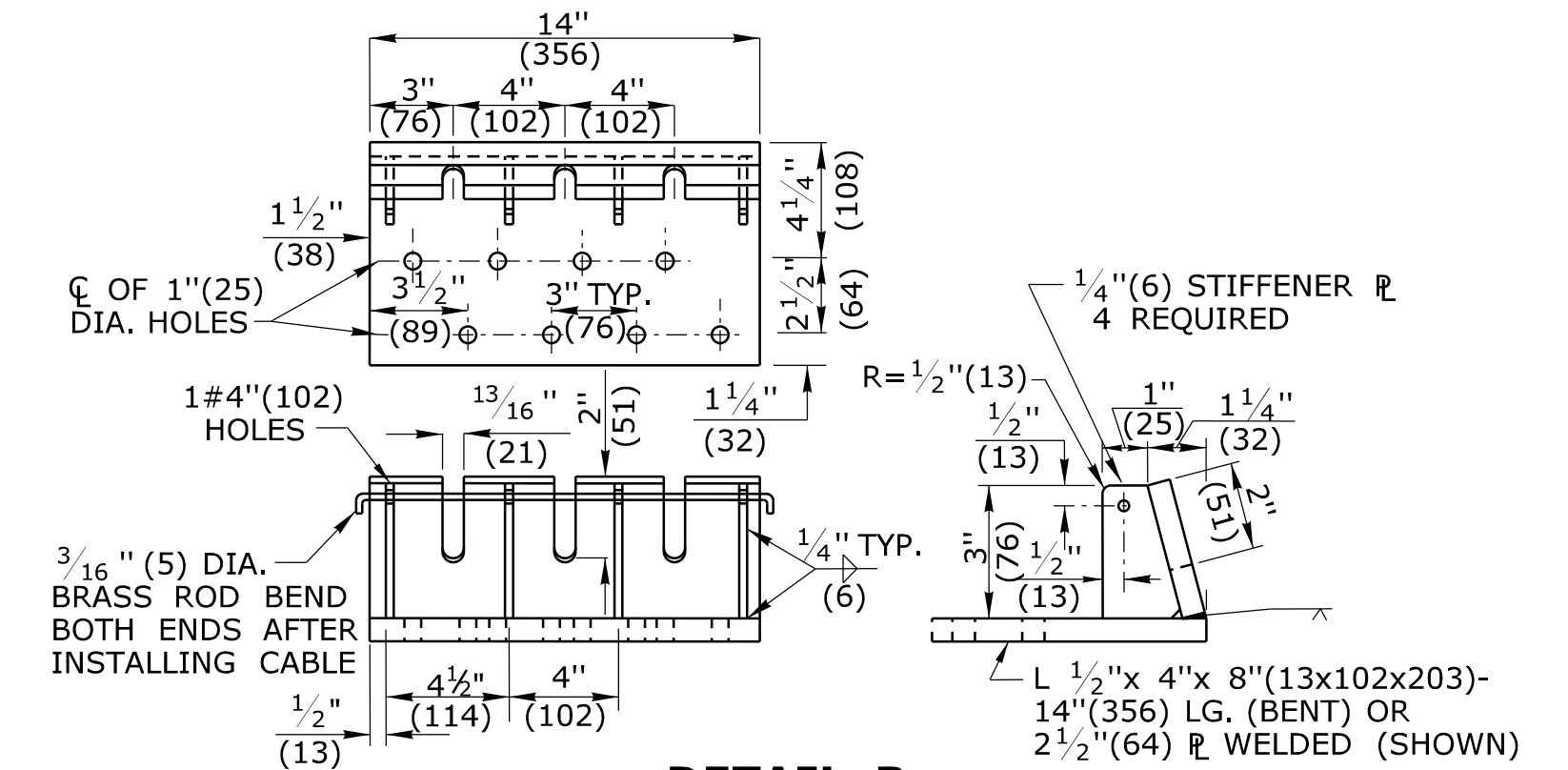
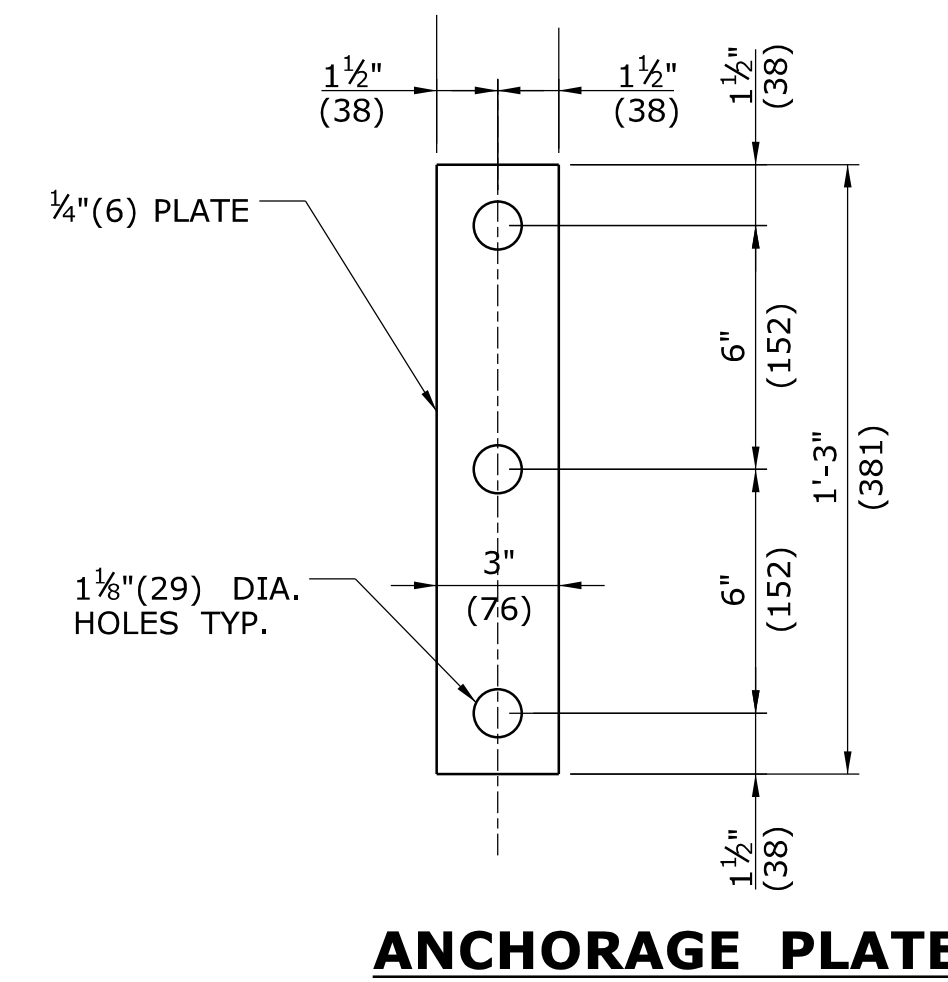
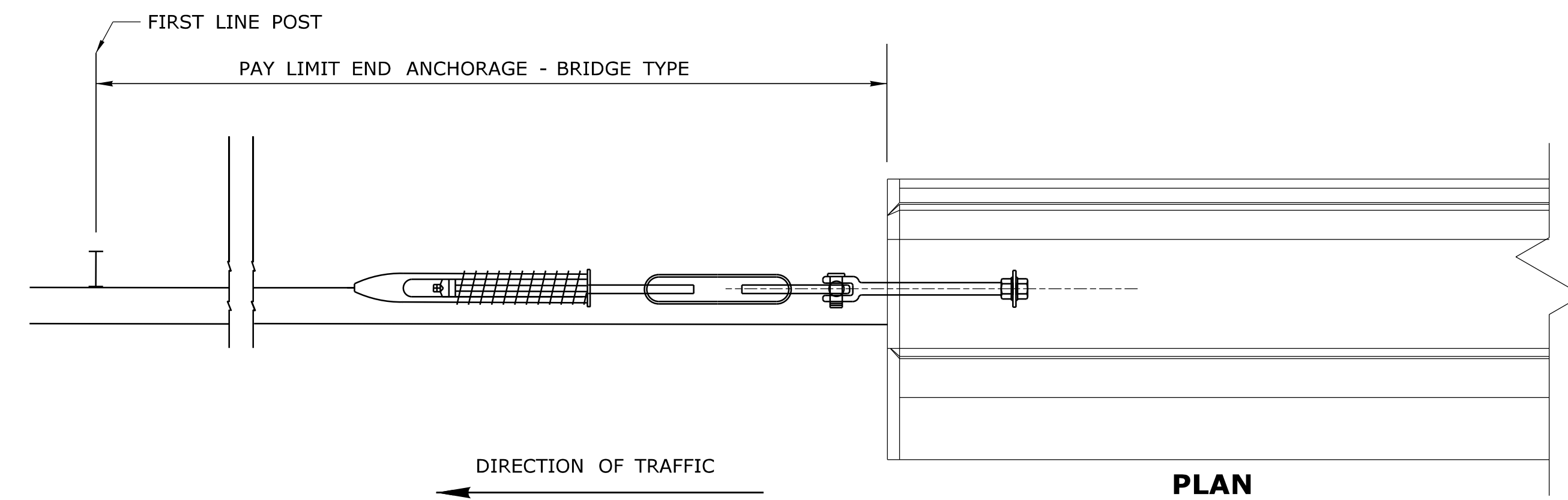
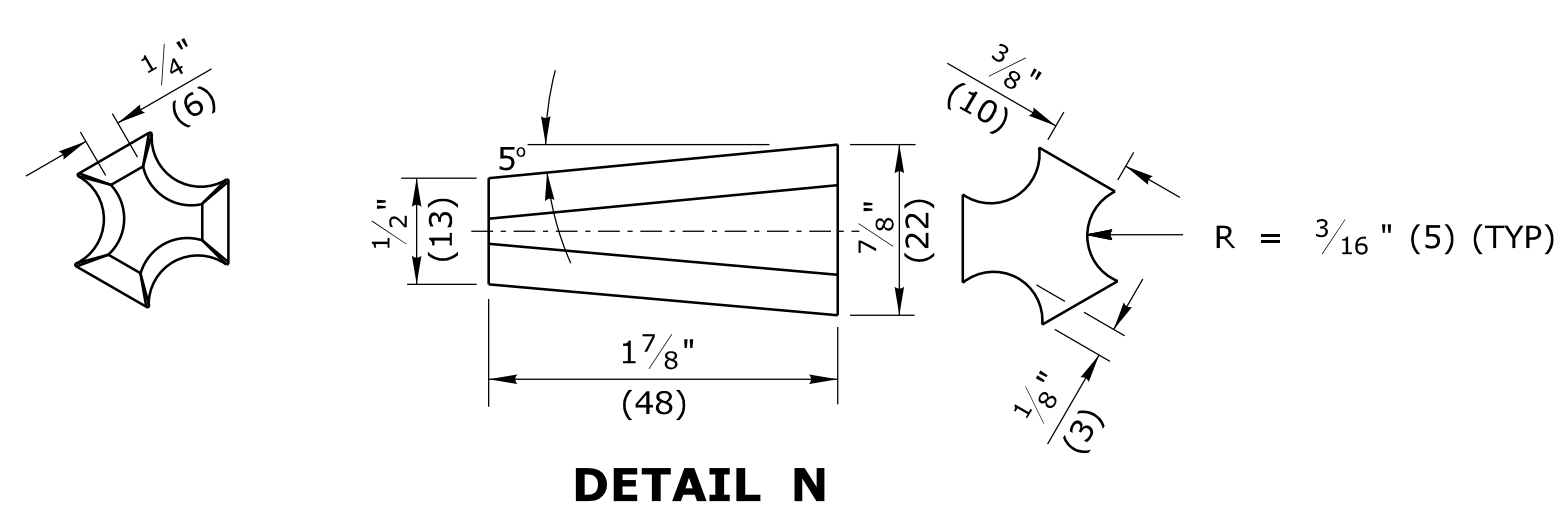
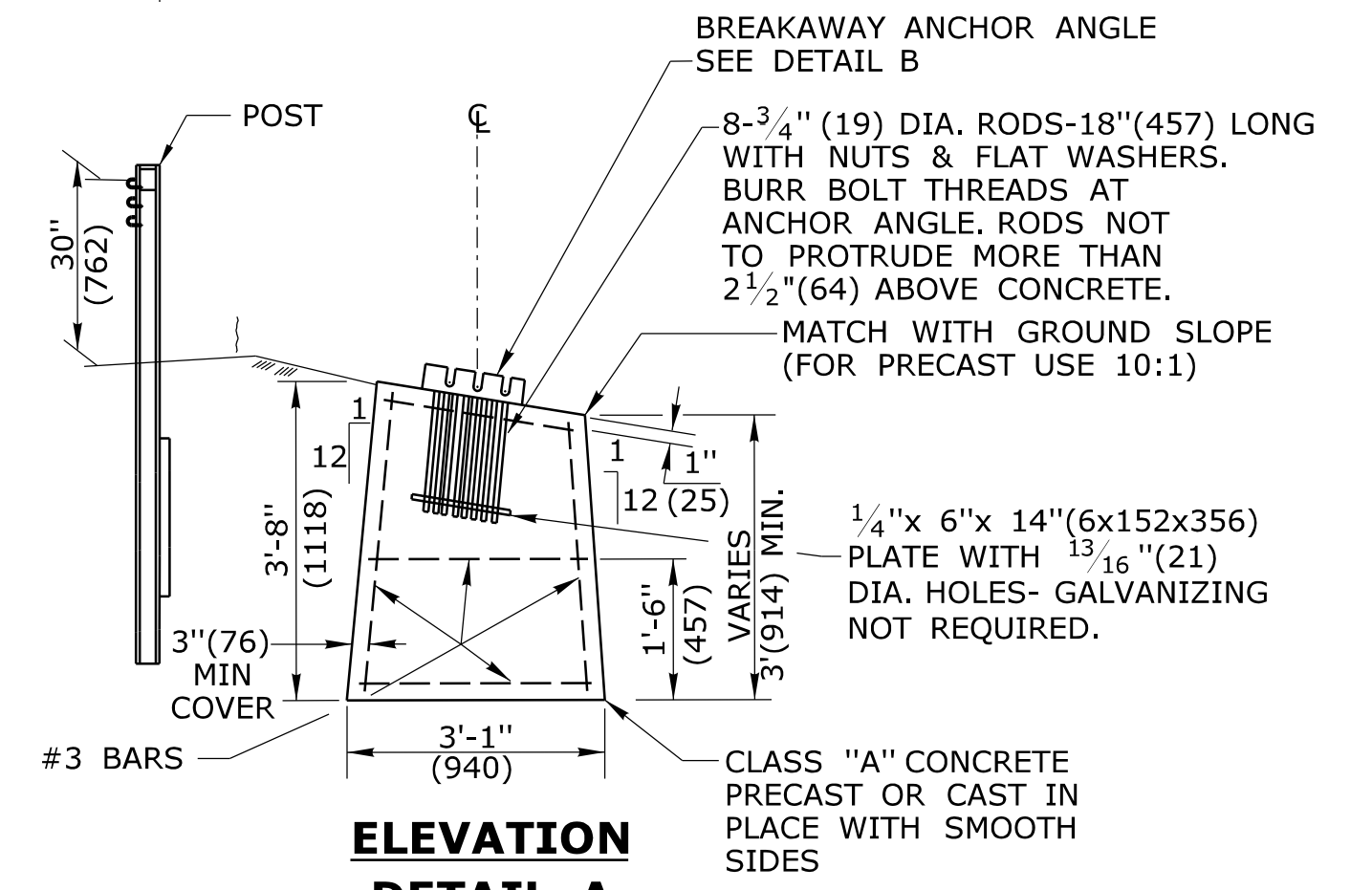
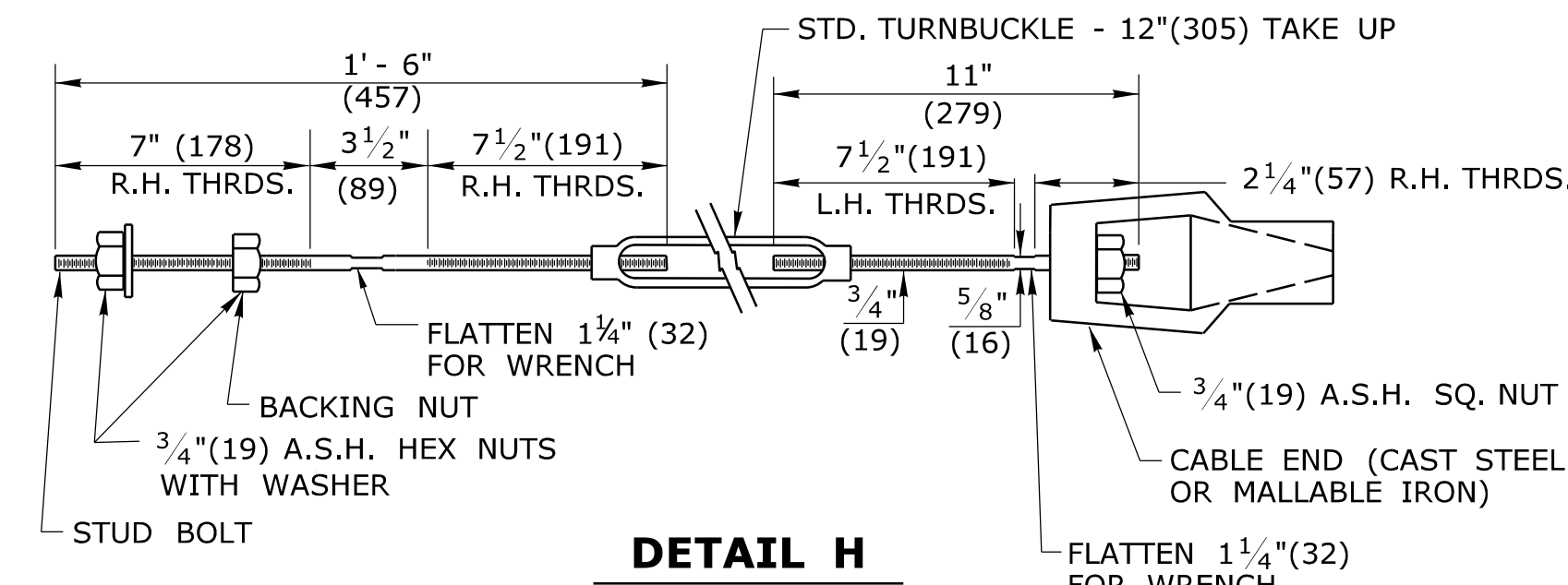
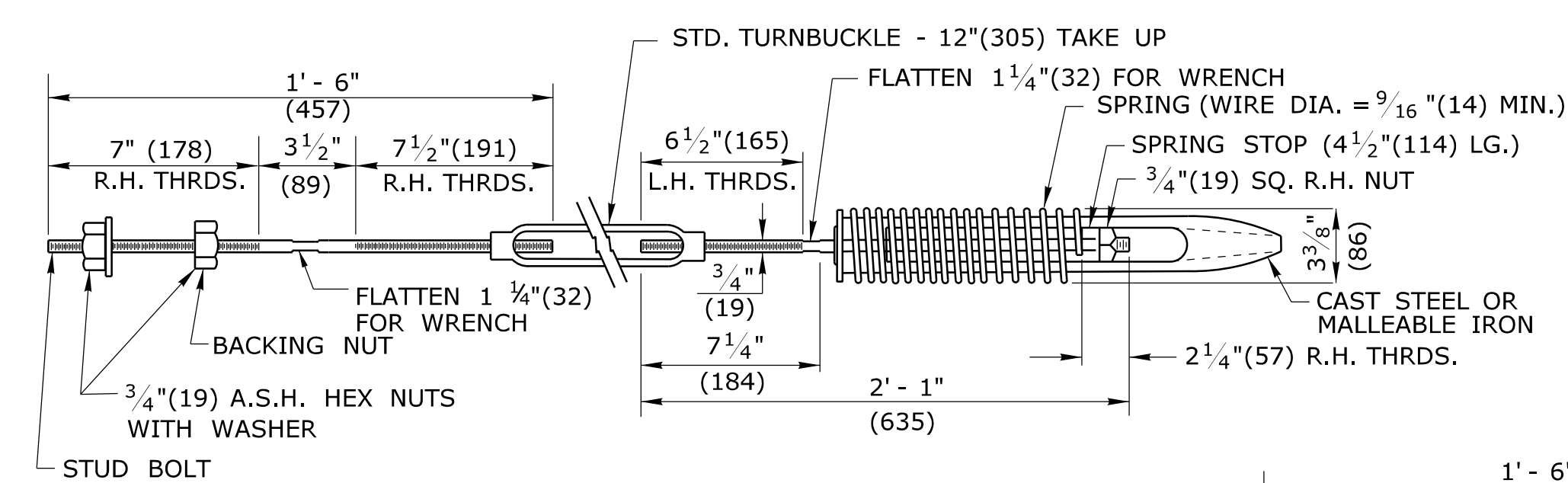


**GENERAL NOTES:**

1. THE SHACKLE END BOLTS SHALL CONFORM TO THE REQUIREMENTS OF ASTM A668 CLASS E OR AISI 1035 FORGED STEEL GALVANIZED IN ACCORDANCE WITH THE REQUIREMENTS OF ASTM A153.
2. THE STANDARD HEX NUTS, ANCHOR PLATES AND LOCK NUTS SHALL CONFORM TO THE REQUIREMENTS OF ASTM A-36.
3. LONGITUDINAL REINFORCEMENT IN THE PARAPET SHALL CLEAR ANCHOR PLATE.
4. ALL ANCHORAGE MATERIAL SHALL BE PAID FOR AS PART OF THE PAY ITEM "END ANCHORAGE - BRIDGE TYPE" (ROADWAY ITEM).
5. THIS DETAIL SHALL BE USED TO ANCHOR THREE-CABLE GUIDE RAILING AT THE TRAILING END OF 3'-6"(1067) HIGH PARAPETS ON ONE-WAY ROADS ONLY. PARAPET HEIGHTS LOWER THAN THIS SHALL BE REFERRED TO STRUCTURE DESIGN UNIT.



USE WITH WEDGE AS SHOWN IN DETAIL N ON THIS SHEET.



**TYPICAL WEDGE FOR ALL CABLE  
SPLICES AND CABLE ENDS**  
(DO NOT GALVANIZE)

ALL METRIC DIMENSIONS ARE IN MILLIMETERS (mm) UNLESS OTHERWISE NOTED.

THE INFORMATION, INCLUDING ESTIMATED QUANTITIES OF WORK, SHOWN ON THESE SHEETS IS BASED ON LIMITED INVESTIGATIONS BY THE STATE AND IS IN NO WAY WARRANTED TO INDICATE THE CONDITIONS OF ACTUAL QUANTITIES OF WORK WHICH WILL BE REQUIRED.		NOT TO SCALE	<p><b>STATE OF CONNECTICUT DEPARTMENT OF TRANSPORTATION</b></p>	SUBMITTED BY: _____ NAME/DATE/TIME: _____ APPROVED BY: _____ NAME/DATE/TIME: _____	<b>CTDOT STANDARD SHEET</b>  <b>OFFICE OF ENGINEERING</b>	STANDARD SHEET TITLE: <b>THREE CABLE GUIDERAIL (I - BEAM POSTS) SHEET 2</b>	STANDARD SHEET NO.: <b>HW-918_01b</b>
REV. DATE REVISION DESCRIPTION	Plotted Date: 9/30/2010	Filename: CTDOT_HIGHWAY_STD.dgn	Model: 66 - HW-918_01b				