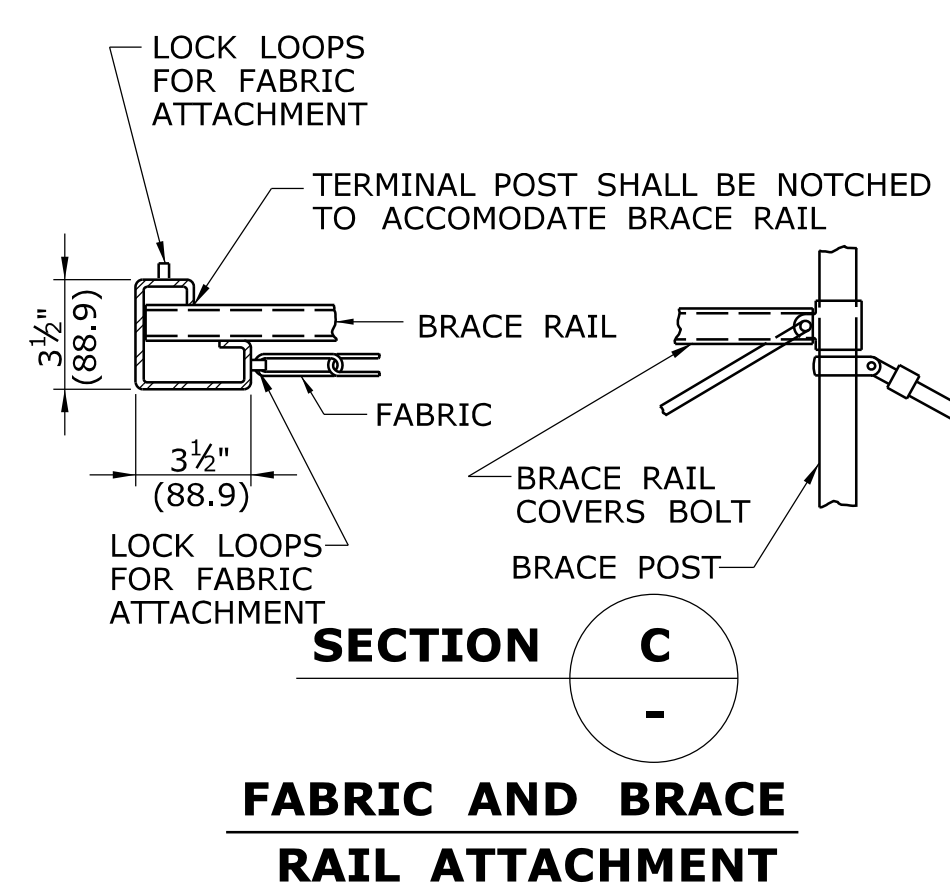
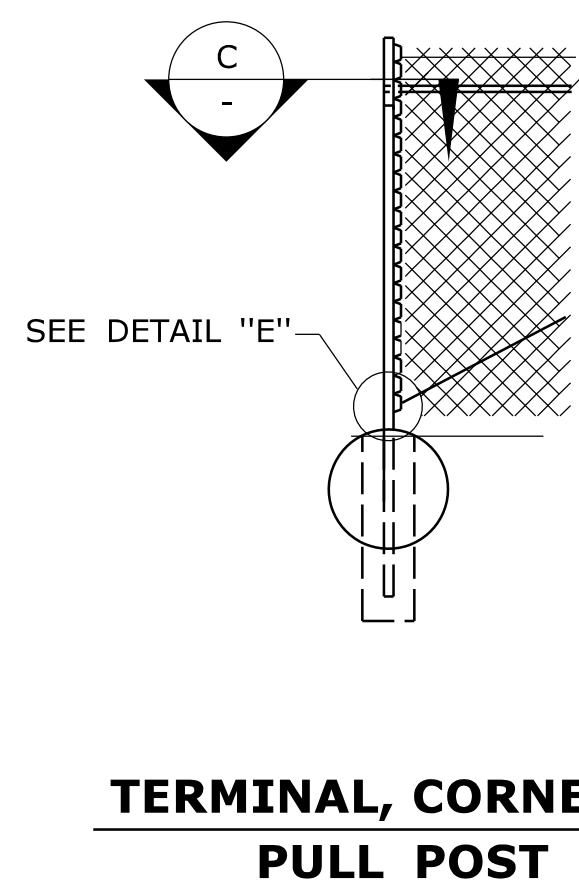
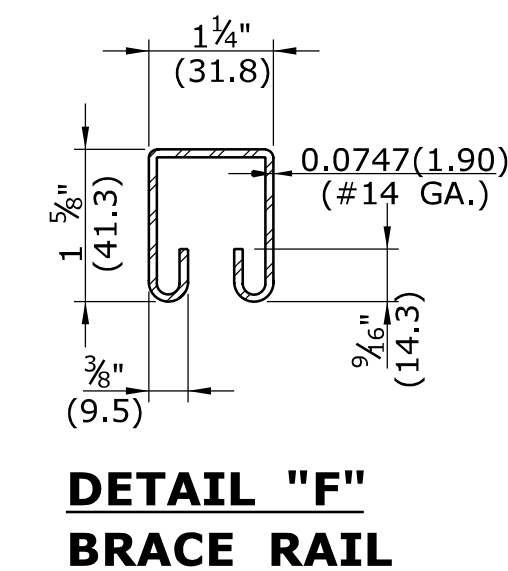
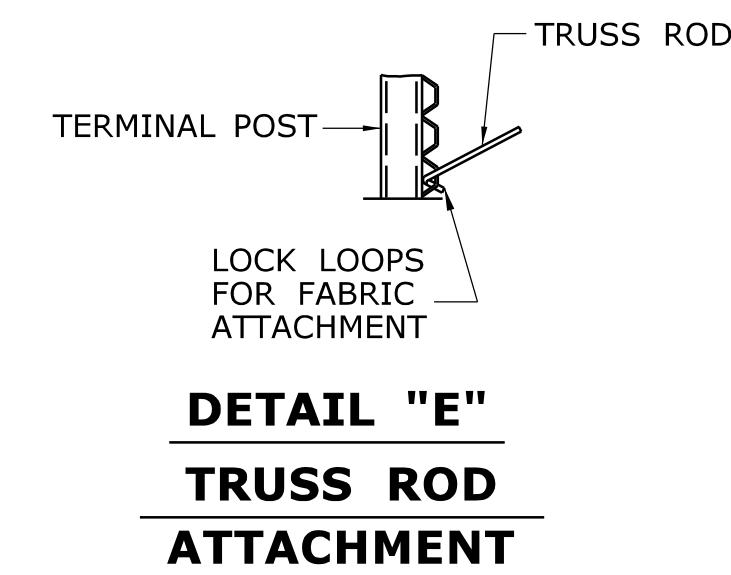
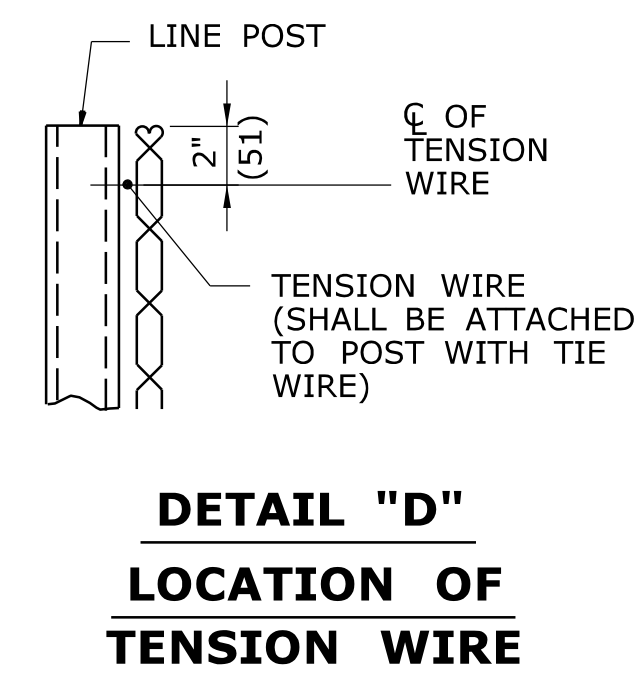
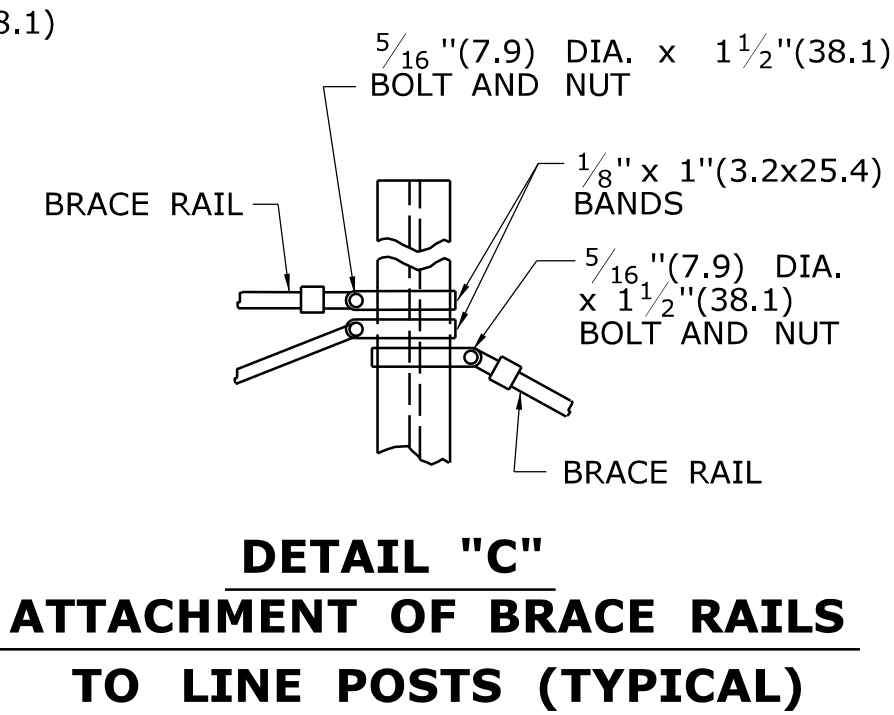
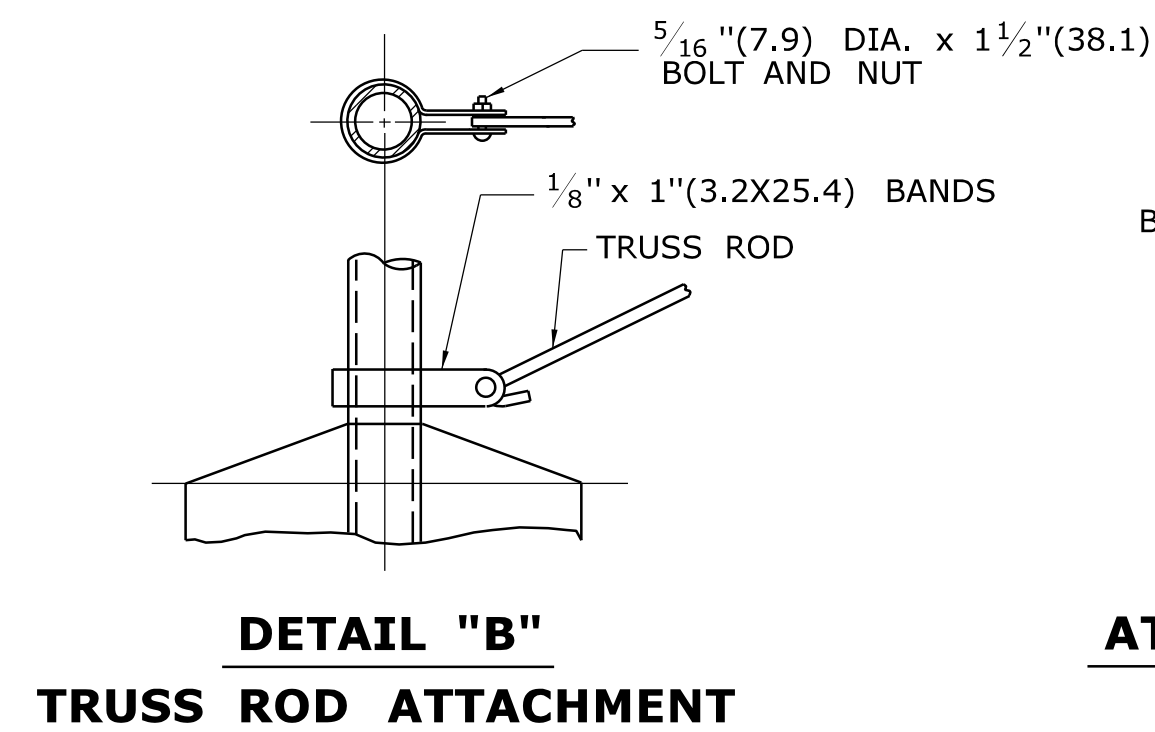
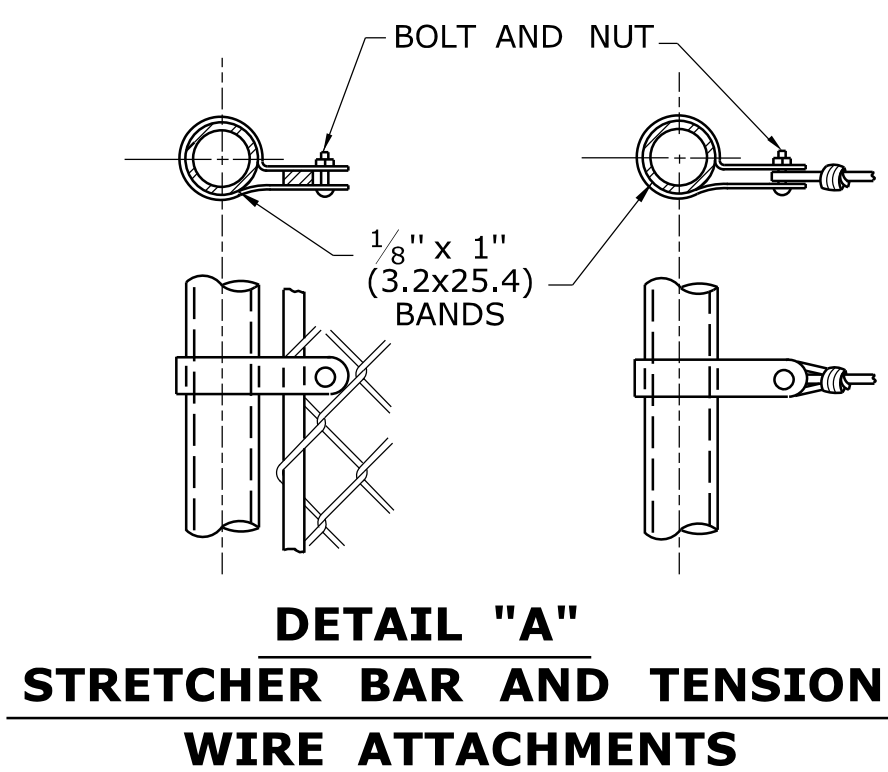


- GENERAL NOTES:**
1. REFER TO SPECIFICATIONS FOR LOCATION OF PULL POST ASSEMBLIES.
 2. ALL SQUARE AND ROUND POSTS WILL BE CAPPED TO PREVENT WATER FROM ENTERING.
 3. WHERE ROCK IS ENCOUNTERED, IT SHALL BE DRILLED AND THE POSTS SET IN CONCRETE OR MORTAR.
 4. FENCE SHALL BE PLACED WITH FABRIC FACING OUTSIDE HIGHWAY RIGHT OF WAY OR AS DIRECTED BY THE ENGINEER.

ROUND PIPE TERMINAL CORNER OR PULL POST



LINE BRACE OR INTERMEDIATE POST	TYPE	MATERIAL	FENCE HEIGHT			
			6'(1.8m) OR LESS		GREATER THAN 6'(1.8m)	
			DIMENSIONS INCHES(mm)	WEIGHT LBS/FT(kg/m)	DIMENSIONS INCHES(mm)	WEIGHT LBS/FT(kg/m)
PIPE	"C"	STEEL	1.87 X 1.62 (47.5x41.1)	2.40(3.57)	2.25 x 1.70(57.2x43.2)	2.78(4.14)
		STEEL CLASS 1	1.90(48.3) O.D.	2.72(4.05)	2.37(60.2) O.D.	3.65(5.43)
		STEEL CLASS 2		2.28(3.39)		3.12(4.64)
PIPE	ROLL-FORMED*	STEEL	1.62 X 1.25 (41.1x31.75)	1.35(2.01)		
		STEEL CLASS 1	1.31(33.3) O.D.	1.68(2.50)	1.66(42.2) O.D.	2.27(3.38)
		STEEL CLASS 2		1.34(1.99)		1.84(2.74)
PIPE	PIPE	ALUM. ALLOY		0.94(1.40)		1.25(1.86)
		STEEL CLASS 1	1.62(41.1) O.D.	0.78(1.16)	1.62(41.1) O.D.	0.78(1.16)
		STEEL CLASS 2				
PIPE	PIPE	STEEL CLASS 1	2.37(60.2) O.D.	3.65(5.43)	2.87(72.9) O.D.	5.79(8.62)
		STEEL CLASS 2		4.64(6.91)		4.64(6.91)
		ALUM. ALLOY		1.25(1.86)		2.00(2.98)

NOTE: A MINUS TOLERANCE OF 5% IN SIZE AND WEIGHT SHALL BE ALLOWED FOR THESE MEMBERS, BUT WILL NOT APPLY TO THE ZINC OR POLYVINYL CHLORINE COATING. * DIMENSIONS AND WEIGHT ARE FOR A FENCE HEIGHT OF 9'(2.7m) OR LESS.

MINIMUM DIMENSIONS AND WEIGHTS FOR POSTS AND RAILS

REV.	DATE	REVISION DESCRIPTION
1	6/01/10	REMOVE "H" POST & SQUARE TUBULAR POST DETAILS AND NOTES
-	-	-
-	-	-
-	-	-
-	-	-
-	-	-

Plotted Date: 5/21/2010

NOT TO SCALE

**STATE OF CONNECTICUT
DEPARTMENT OF TRANSPORTATION**

Filename: CTDOT-HIGHWAY-STD.dgn Model: HW-913_01

SUBMITTED BY: _____ NAME/DATE/TIME: _____

APPROVED BY: _____ NAME/DATE/TIME: _____

**CTDOT
STANDARD SHEET**

OFFICE OF ENGINEERING

STANDARD SHEET TITLE:
CHAIN LINK FENCE

STANDARD SHEET NO.:
HW-913_01