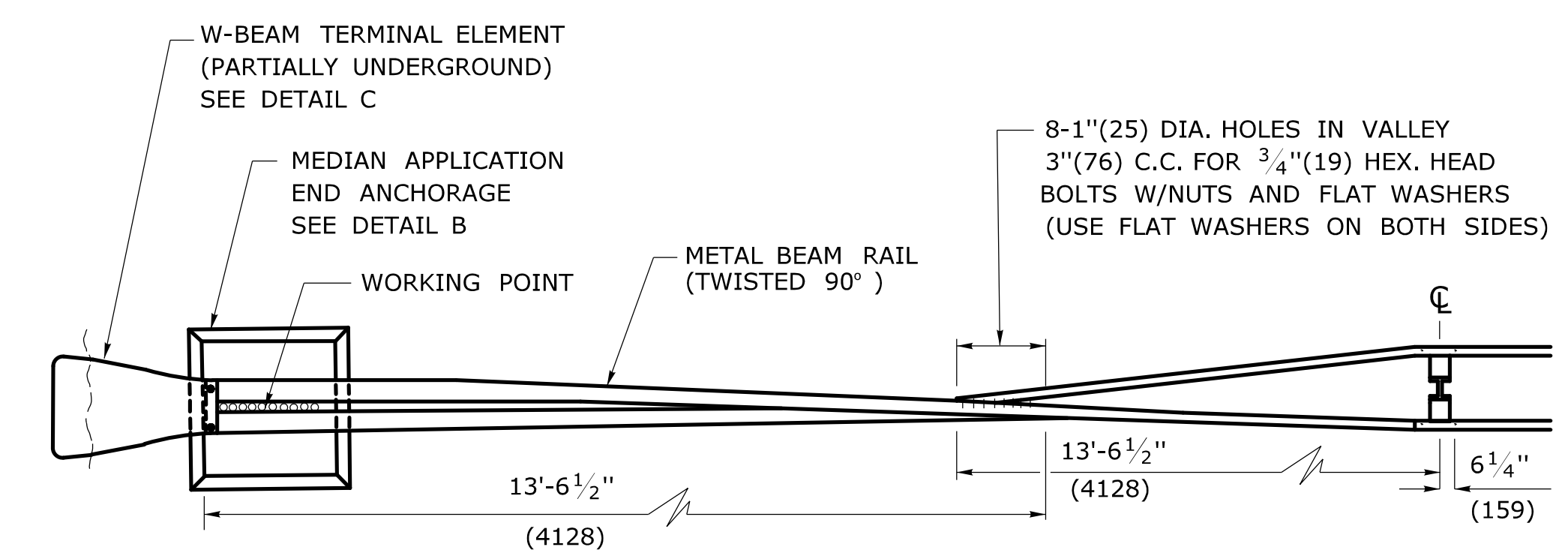
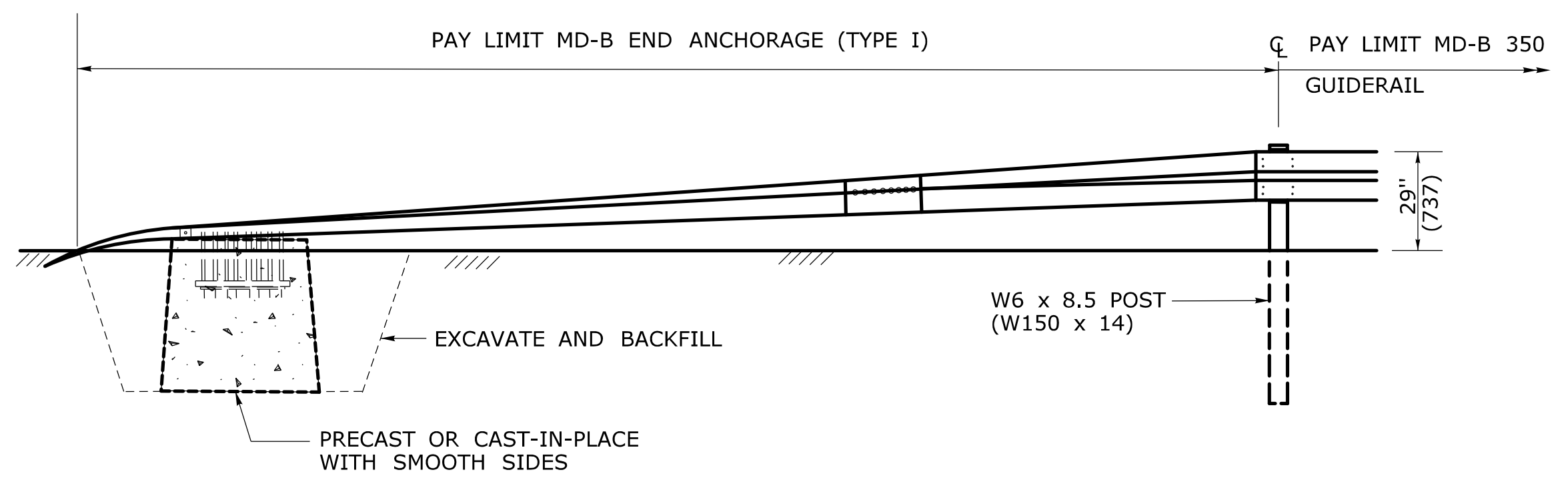


DETAIL C
W-BEAM TERMINAL ELEMENT



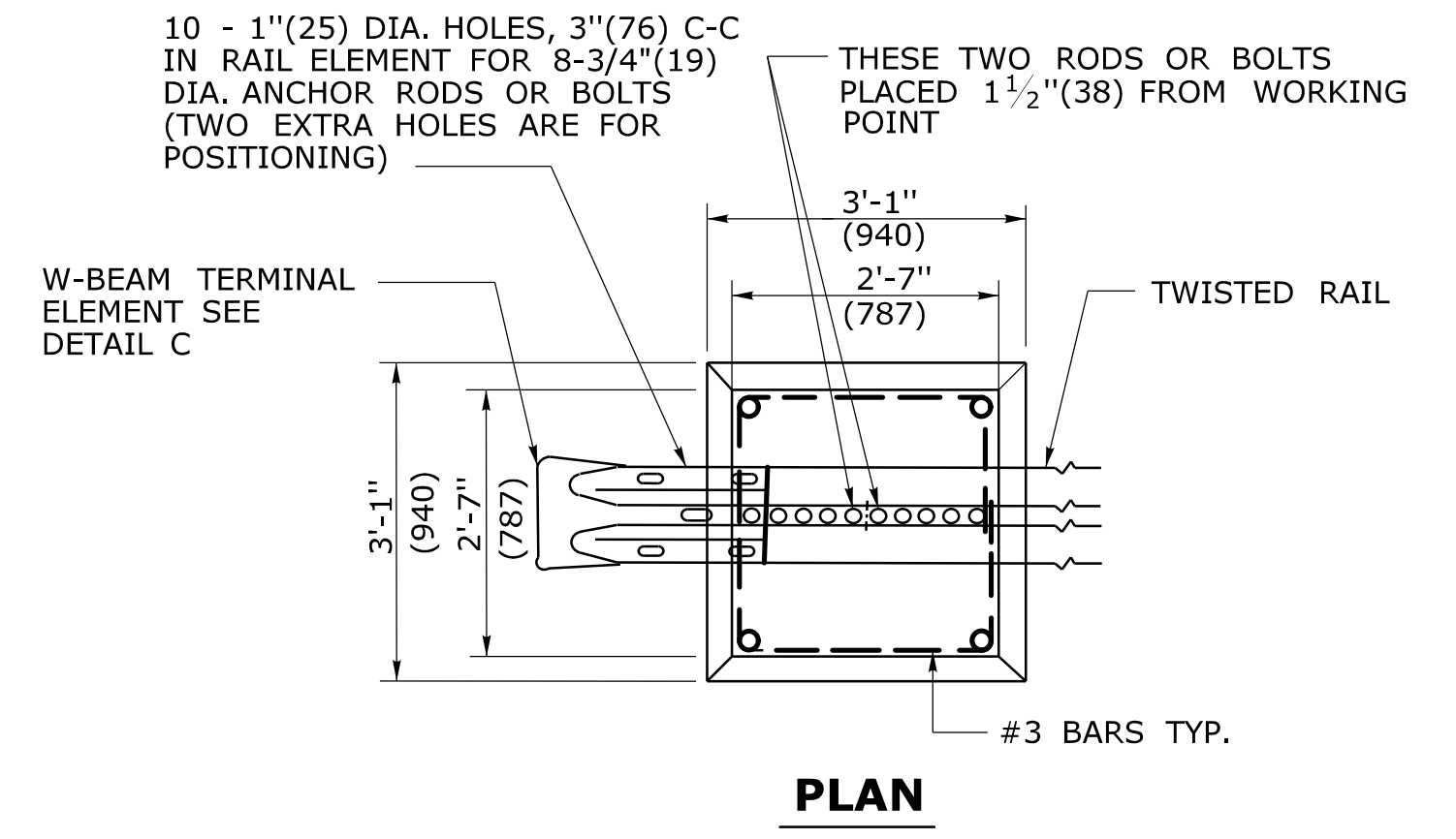
PLAN



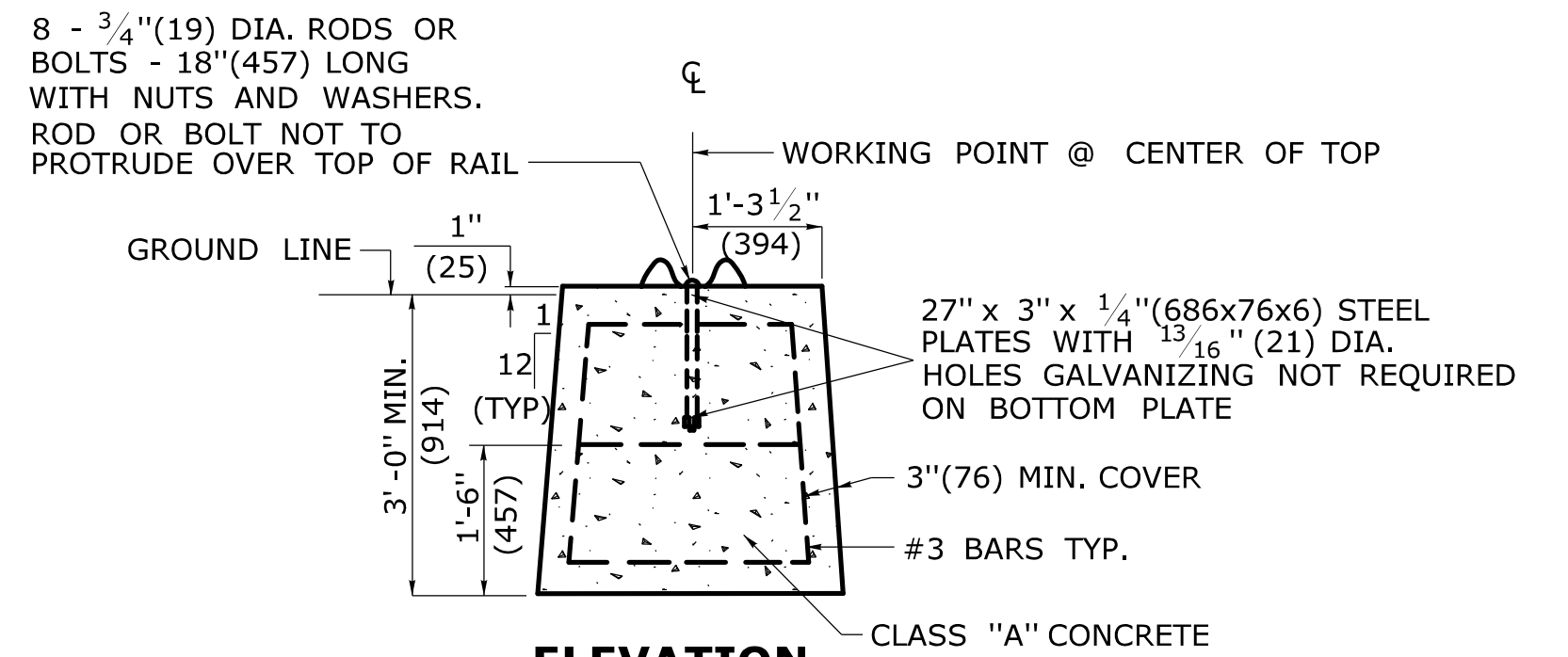
ELEVATION
MD-B END ANCHORAGE TYPE I
(MEDIAN APPLICATION)

GENERAL NOTES:

1. J-HOOK BOLTS MAY BE SUBSTITUTED FOR BOTTOM PLATE ANCHORAGE IN CONCRETE END ANCHORS USING THE SAME SIZE, STRENGTH, AND LENGTH AS NOTED ON THE PLANS.
2. MINIMUM RAIL HEIGHT FOR NEW CONSTRUCTION SHALL BE 29" (737) ± 1" (25).



PLAN




ELEVATION
DETAIL B
CONCRETE END ANCHOR
FOR MEDIAN RAIL

ALL METRIC DIMENSIONS ARE IN MILLIMETERS (mm) UNLESS OTHERWISE NOTED.

REV.	DATE	REVISION DESCRIPTION
-	-	-
-	-	-
-	-	-
-	-	-
-	-	-
-	-	-
-	-	-

NOT TO SCALE


STATE OF CONNECTICUT
DEPARTMENT OF TRANSPORTATION

SUBMITTED BY: _____ NAME/DATE/TIME: _____
 APPROVED BY: _____ NAME/DATE/TIME: _____

CTDOT
STANDARD SHEET
OFFICE OF ENGINEERING

MD-B END ANCHORAGE
TYPE I

STANDARD SHEET NO.:
HW-911_02