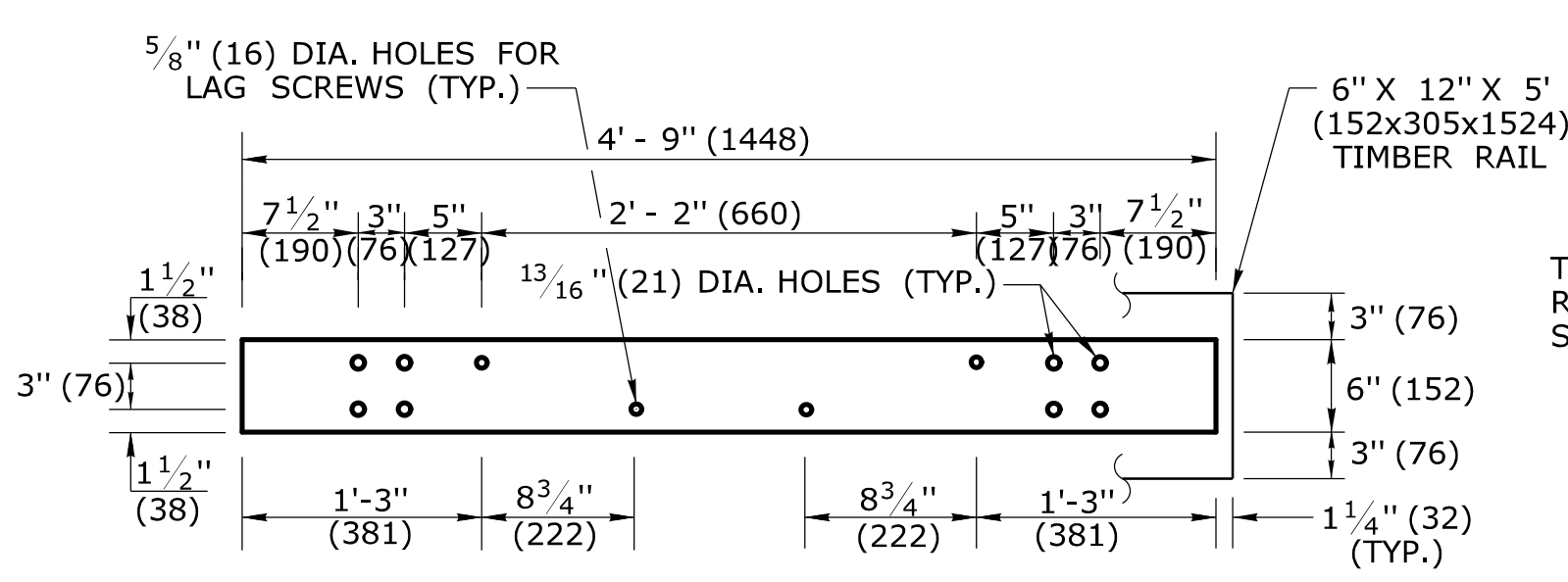
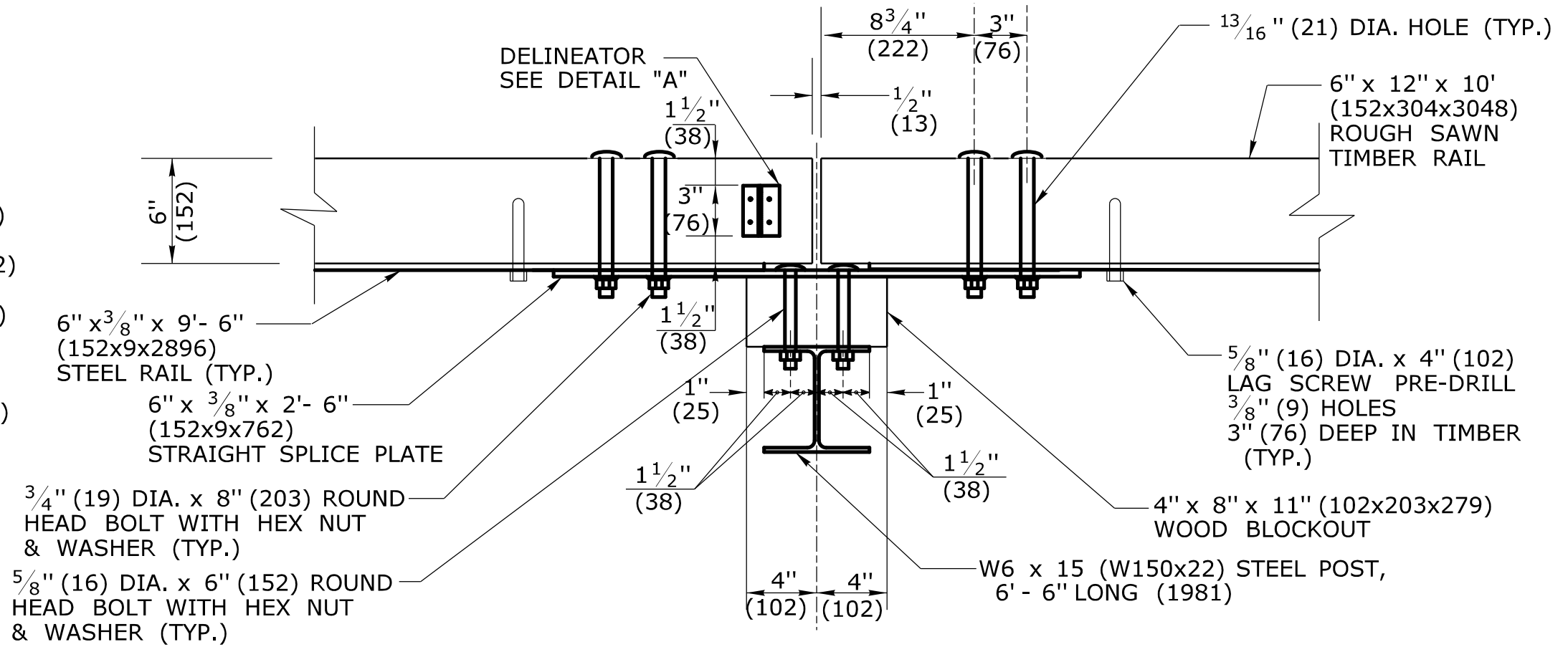


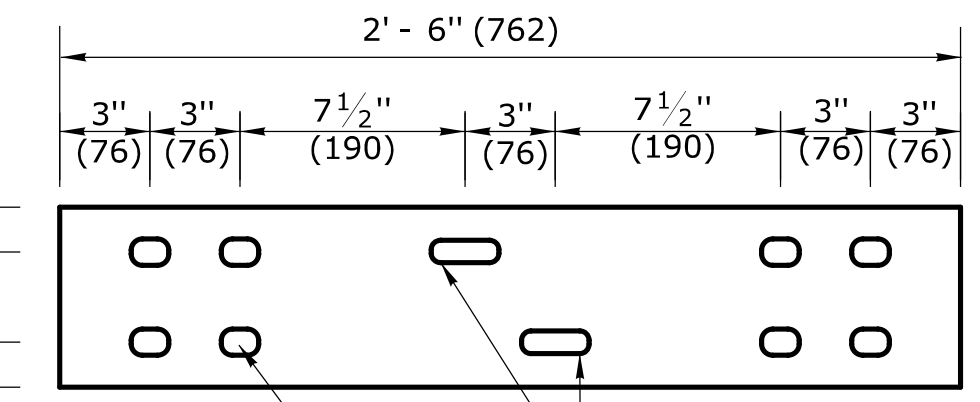
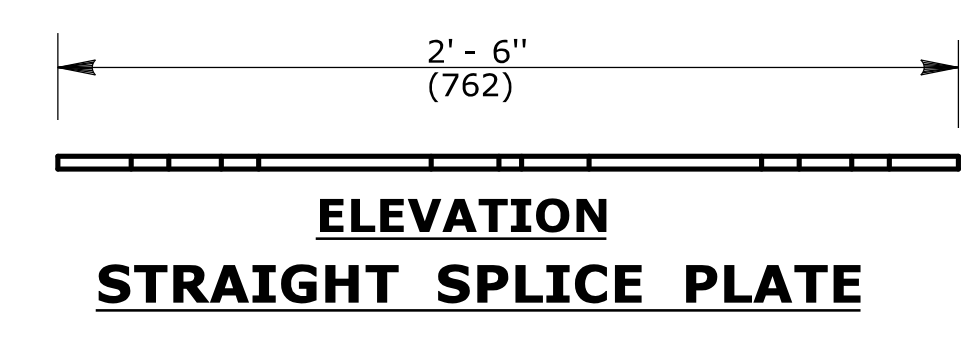
STANDARD STEEL RAIL DETAIL
6" x 3/8" x 9'-6"
(152x9x2896)



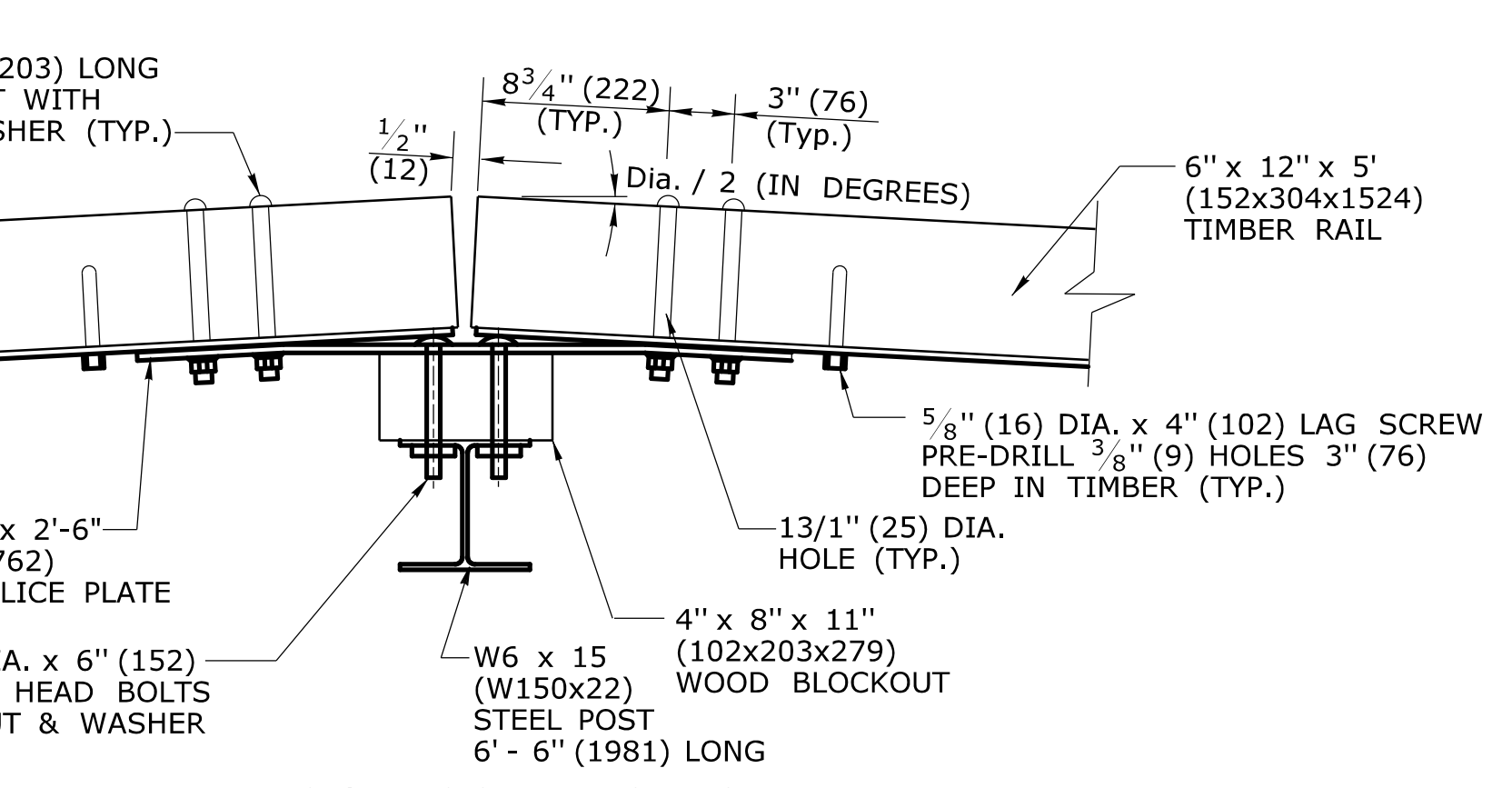
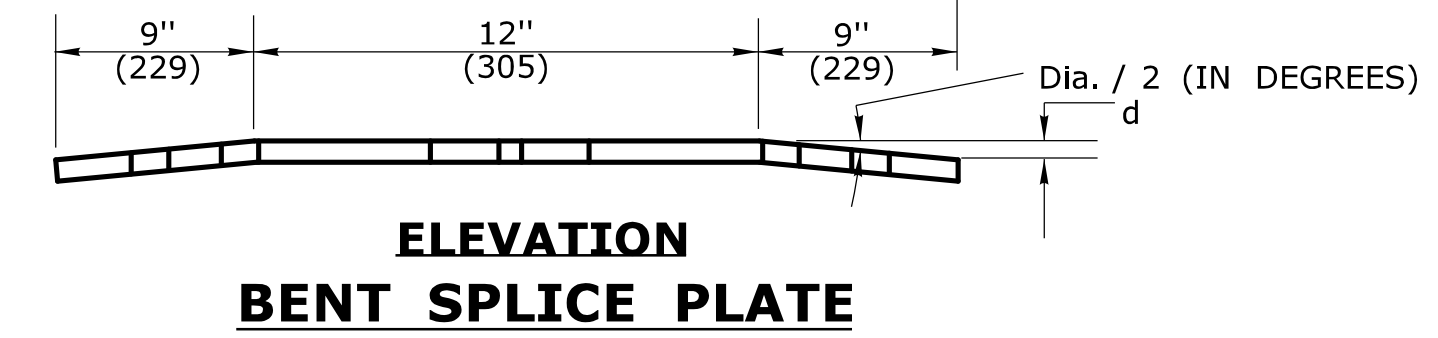
STEEL RAIL DETAIL
6' x 3/8" x 4'-9"
(1829 x 9 x 1448)
FOR CURVES WITH R ≤ 70' (21.3m)



POST CONNECTION FOR STRAIGHT SECTIONS



STEEL SPLICE PLATE DETAIL
6" x 3/8" x 2'-6"
(152x9x762)



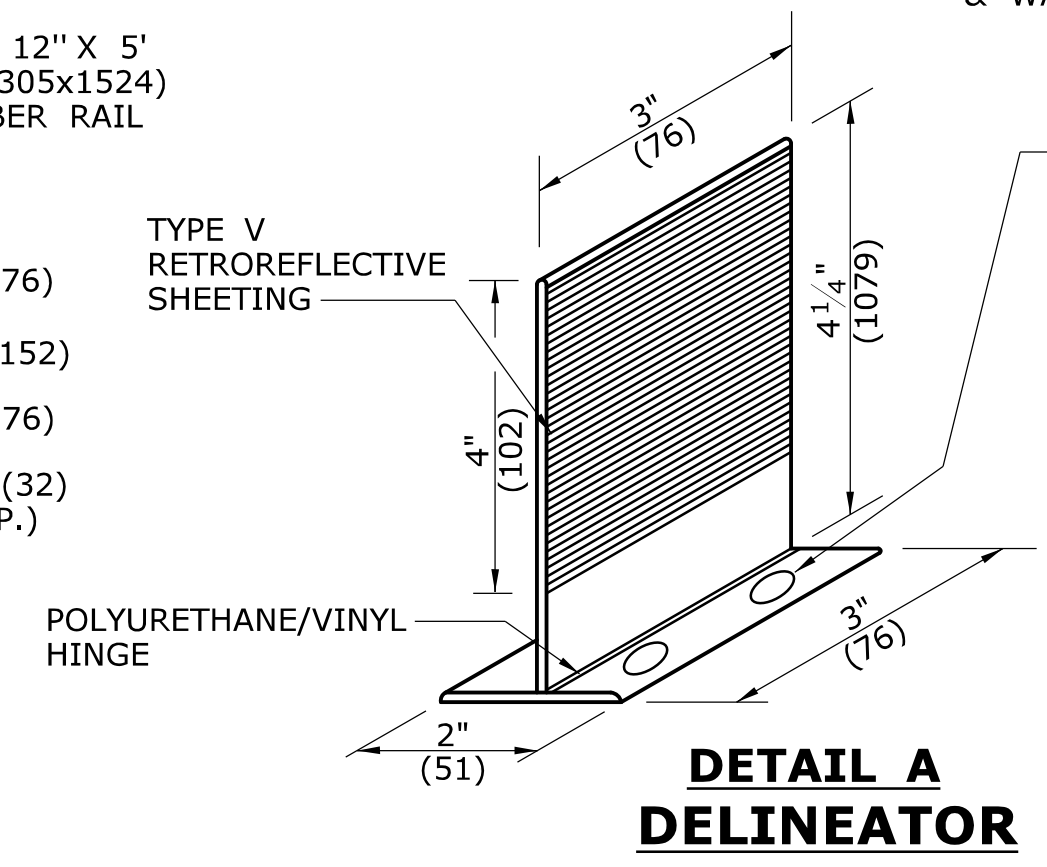
POST CONNECTION FOR CURVES WITH R ≤ 70' (21.3m)

GENERAL NOTES:

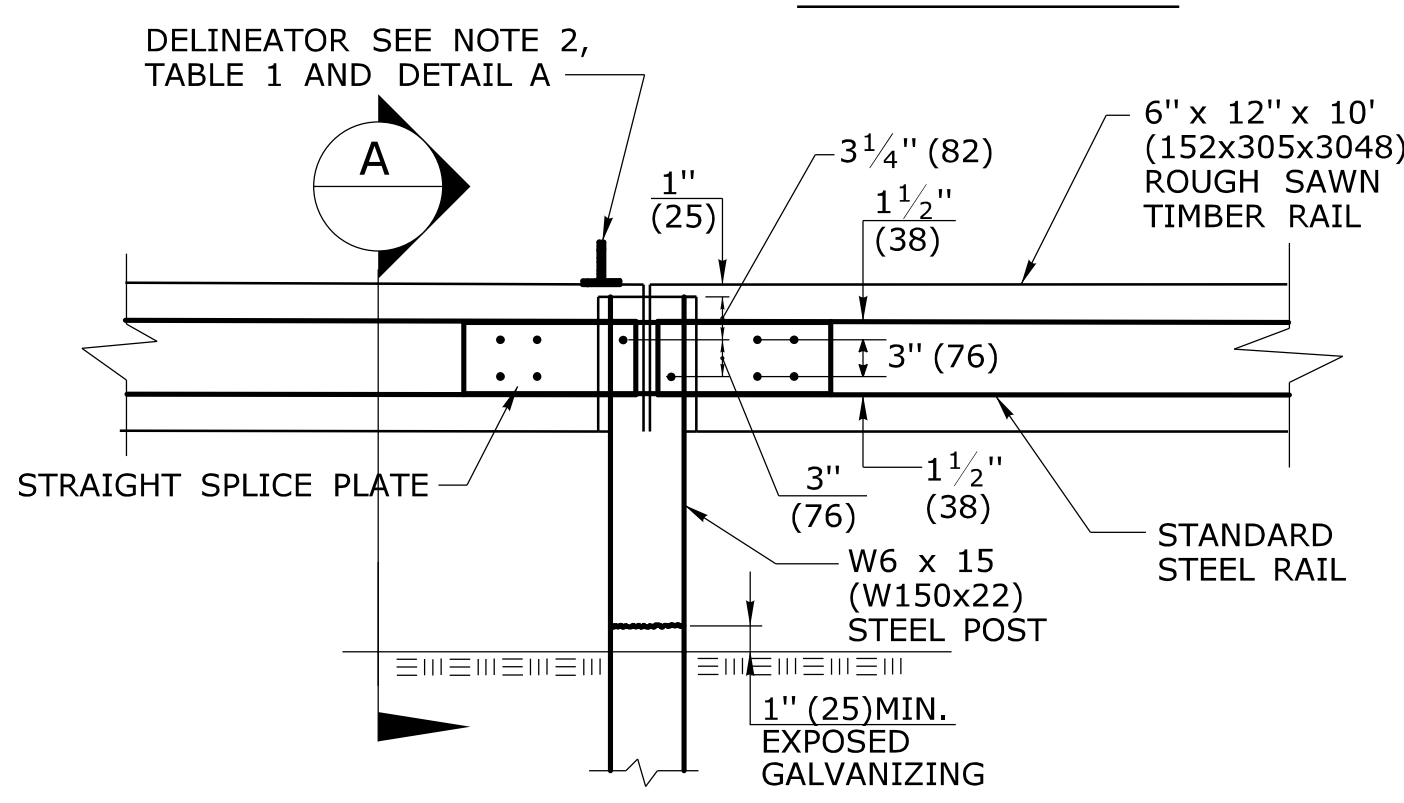
- MATERIALS AND CONSTRUCTION OF THE MERRITT PARKWAY GUIDERAIL SHALL CONFORM TO SPECIAL PROVISION PROVIDED WITH THE PROJECT.
- DELINEATORS SHALL BE PLASTIC INVERTED T-SECTIONS IN ACCORDANCE WITH DETAIL "A". REFLECTORS SHALL BE SPACED IN ACCORDANCE WITH TABLE 1 AND POSITIONED PERPENDICULAR TO THE ADJACENT EDGE OF LANE. DO NOT ATTACH REFLECTORS ON FLARE OR TERMINAL SECTIONS. REFLECTIVE SHEETING SHALL BE SILVER-WHITE ON ALL RAIL SECTIONS ADJACENT TO THE RIGHT SHOULDER, AND YELLOW ON RAIL SECTIONS ADJACENT TO THE LEFT SHOULDER OF TRAVEL LANES.
- TWO ADDITIONAL 5/8" (16) DIA. X 4"(102) LONG LAG SCREWS AND WASHERS SHALL BE INSTALLED AT ALL MID-SPAN POINTS FOR STANDARD SYSTEMS.
- ALL CONNECTION HARDWARE SHALL BE SUFFICIENTLY TIGHTENED TO ACCOMMODATE FOR SHRINKAGE OF THE WOOD ELEMENTS.
- WHEN FURNISHING THE SHOP BENT SPLICE PLATES, USE THE MINIMUM BEND ANGLE AS SHOWN IN TABLE 2.
- FOR RAILING SET ON A CURVE WITH RADII < 70' (21.3m) SPACE POSTS AT 5' (1524).

TABLE 2

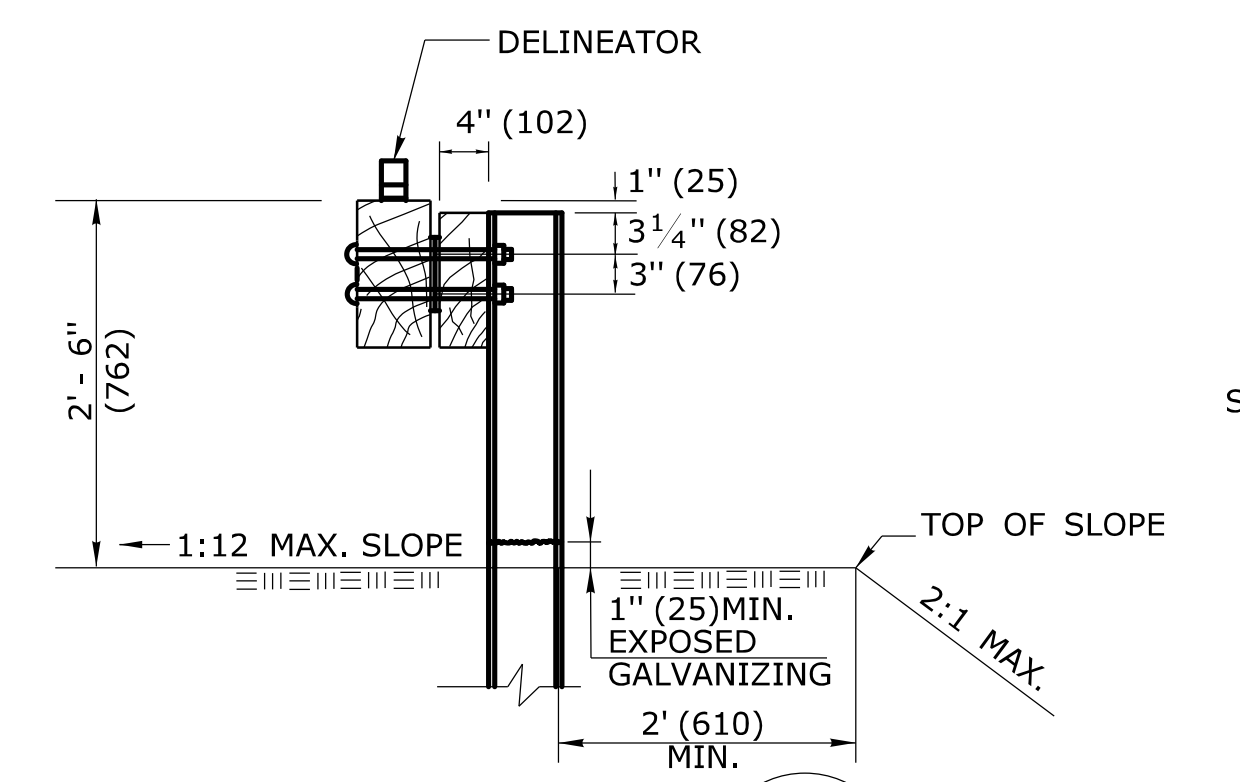
Radius R (ft.)(m)	Dia. / 2 (Degrees)	d (in.)(mm)
35 (10.7)Min.	4.10	5/8(16)
40 (12.2)	3.58	9/16(14)
45 (13.7)	3.18	1/2(13)
50 (15.2)	2.86	7/16(11)
55 (16.8)	2.60	7/16(11)
60 (18.3)	2.40	3/8(9)
65 (19.8)	2.20	3/8(9)
70 (21.3)	2.05	5/16(8)
Over 70 (21.3)	Flat	0



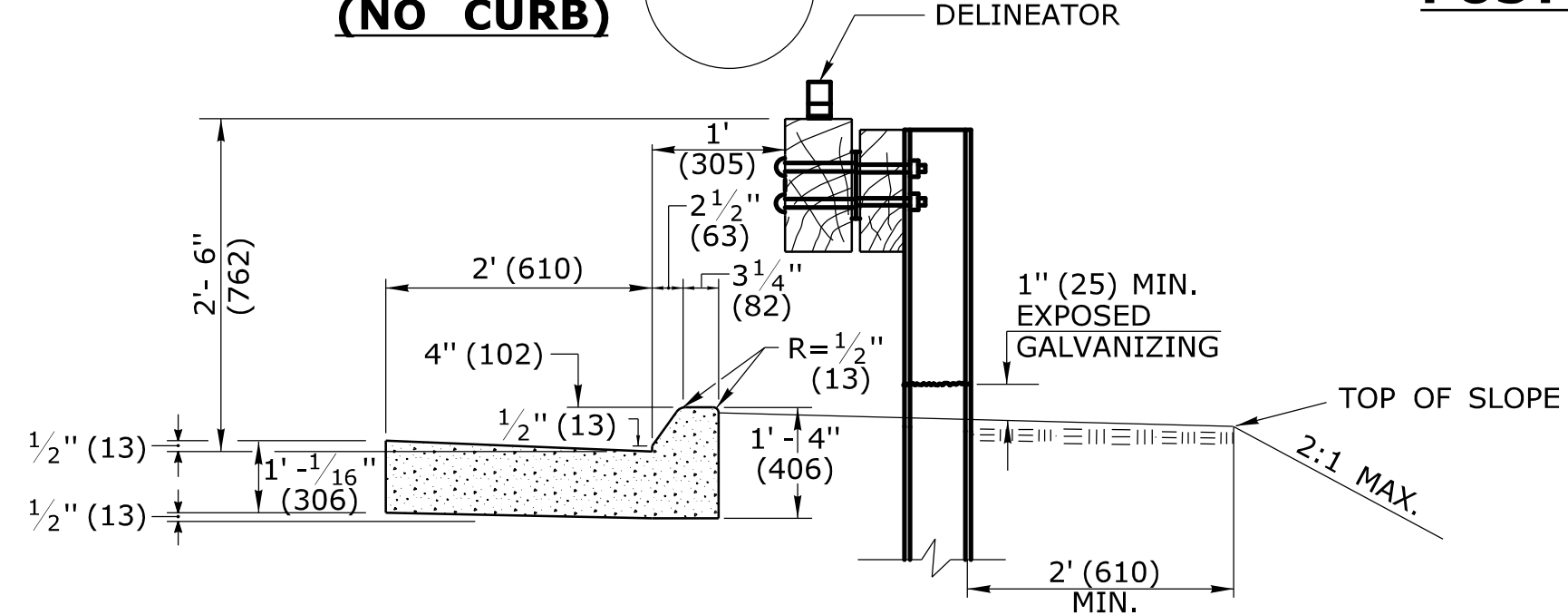
DETAIL A DELINEATOR



REAR VIEW ELEVATION POST CONNECTION



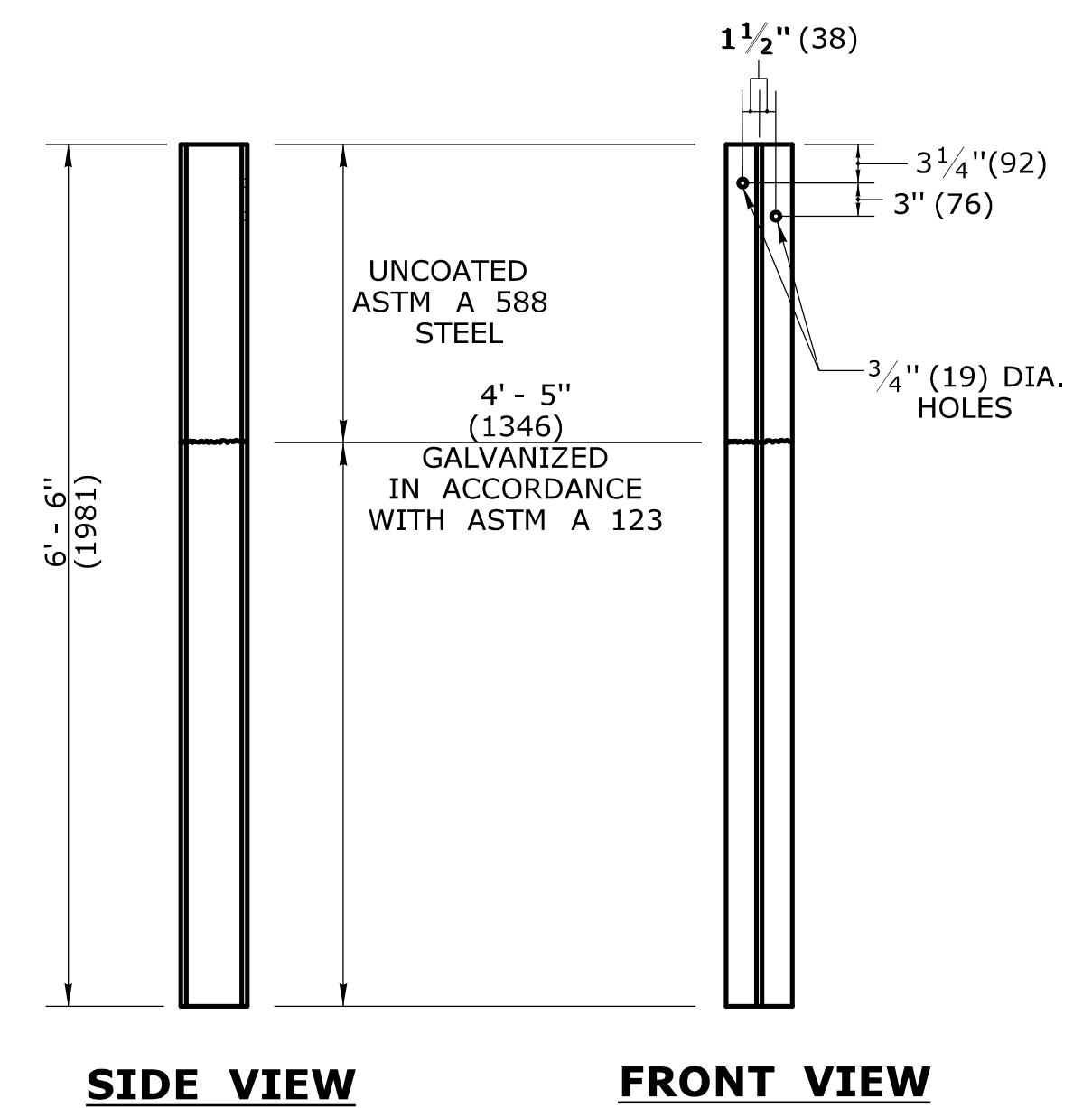
SECTION A (NO CURB)



STANDARD SECTION WITH MOUNTABLE CURB

TABLE 1

DELINEATOR SPACING	
CURVE RADIUS	SPACE
< 300' (91.4m)	20' (6.10m)
≥ 300' (91.4m)	50' (15.2m)



POST DETAIL W6 X 15 (W150x22)

ALL METRIC DIMENSIONS ARE IN MILLIMETERS (mm) UNLESS OTHERWISE NOTED.